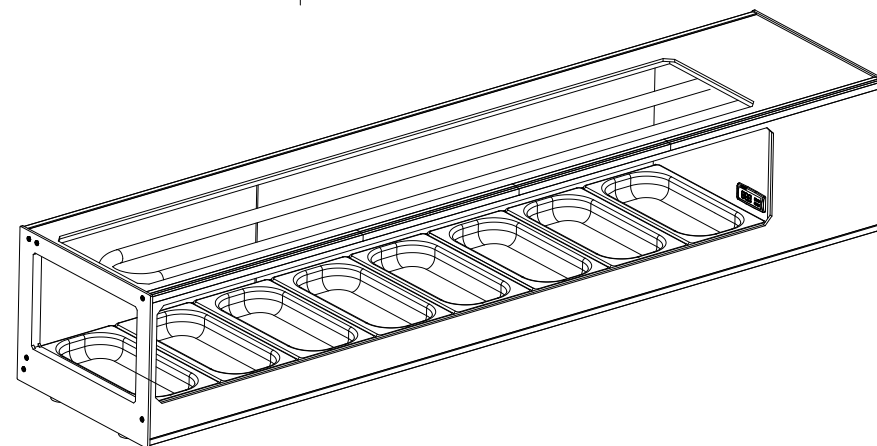


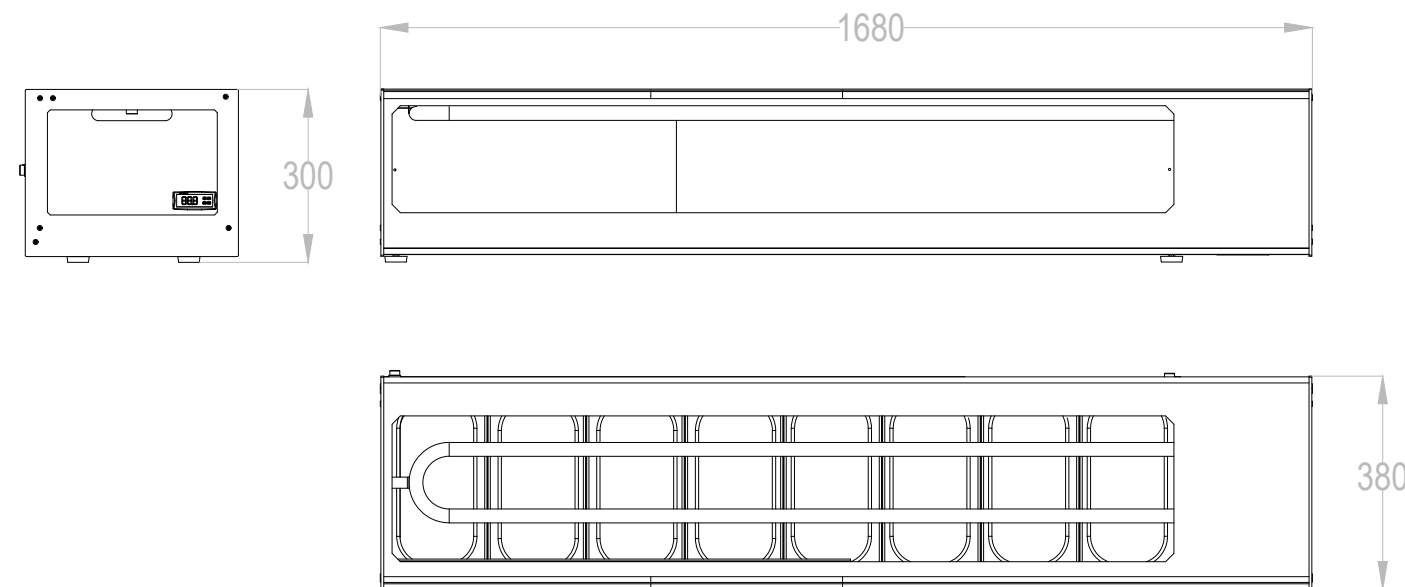
VTLG8S

3D

H 300 mm
D 380 mm
L 1680 mm



GENERAL SIZES



TECHNICAL DATA

Installation

Plug-in

Temperature

+0 / +4°C

Refrigerant

R600A

Refrigeration

Ventilated

Compressor

HXD55

Defrost

Automatic

Climate class

3

Glass type

Single glass

Opening system

Rear sliding double door

Lighting

Double LED 4000K

Configuration

-Mechanical control panel

External dimensions (LxDxH)

1680 x 380 x 300 mm

Capacity (gross/net)

97,2 / 33,5 L

Weight

75 KG

Energy class

C

Energy efficiency index

20,8

Annual energy consumption

1611,84 kWh/A

Operating conditions

25°C / 60% RH

Frigorific input

170W

Electrical input

90W

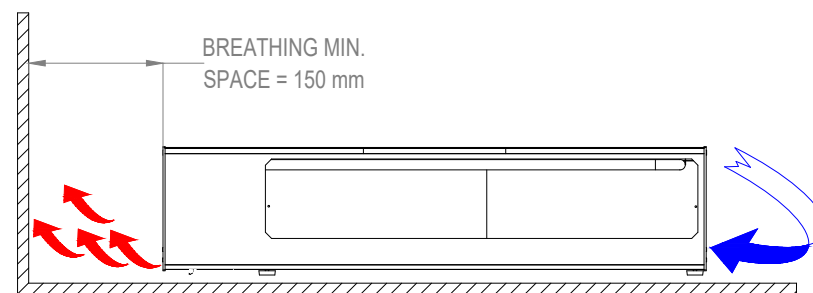
Power supply

230V / 50Hz

Openings (Rear/Front)

Yes / No

GOOD PRACTICES



ELECTRIC DIAGRAM

