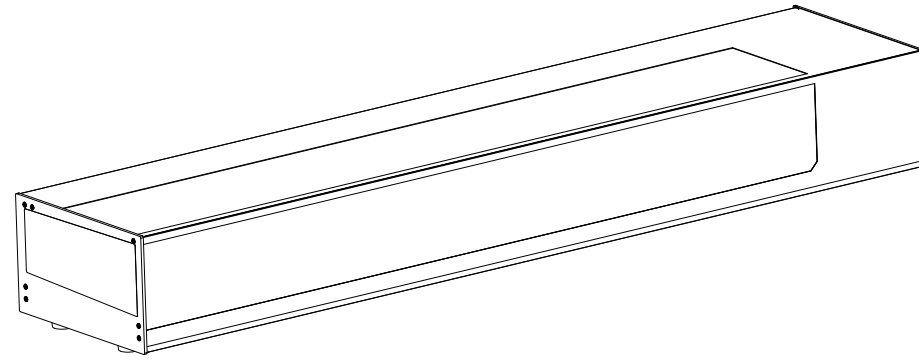


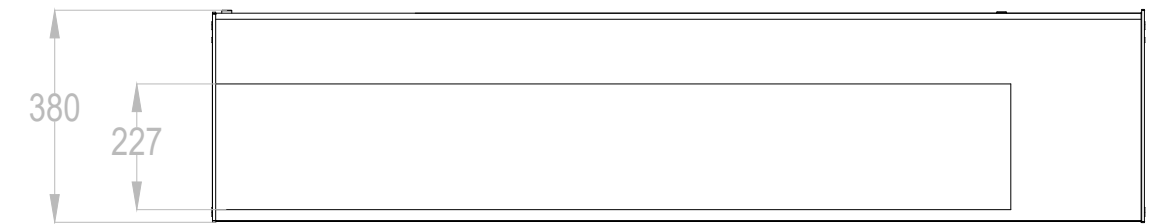
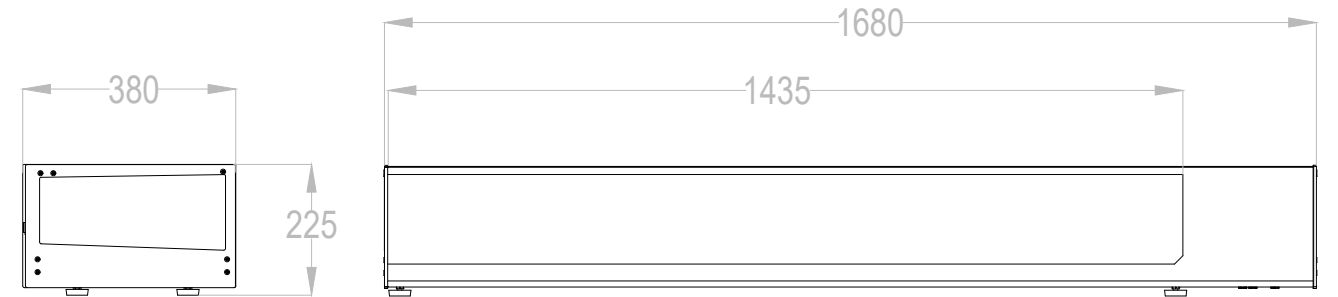
VTLG8

3D

H 225 mm
D 380 mm
L 1680 mm



GENERAL SIZES



TECHNICAL DATA

Installation
Plug-in

Temperature
+2 / +6°C

Refrigerant
R600A

Refrigeration
Ventilated

Compressor
HXD55

Defrost
Automatic

Climate class
3

Glass type
Single glass

Opening system
Rear sliding double door

Lighting
Double LED 4000K

Configuration
-Mechanical control panel

External dimensions (LxDxH)
1680 x 380 x 225 mm

Capacity (gross/net)
88,3 / 12 L

Weight
55 KG

Energy class
B

Energy efficiency index
12,0

Annual energy consumption
867,24 kWh/A

Operating conditions
25°C / 60% RH

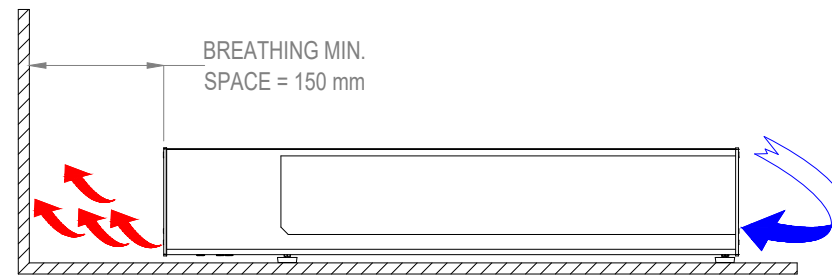
Frigorific input
170W

Electrical input
95W

Power supply
230V / 50Hz

Openings (Rear/Front)
Yes / No

GOOD PRACTICES



ELECTRIC DIAGRAM

